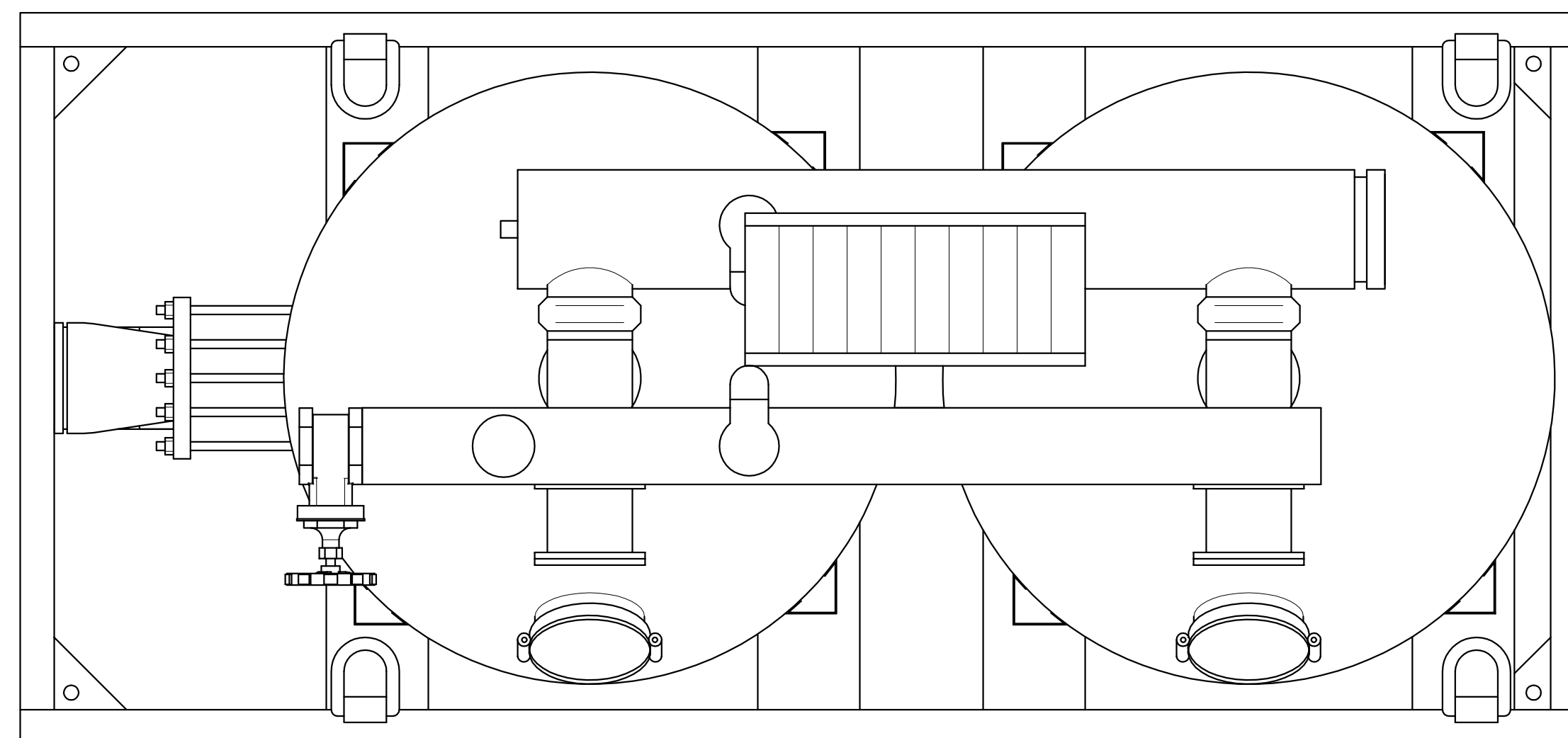
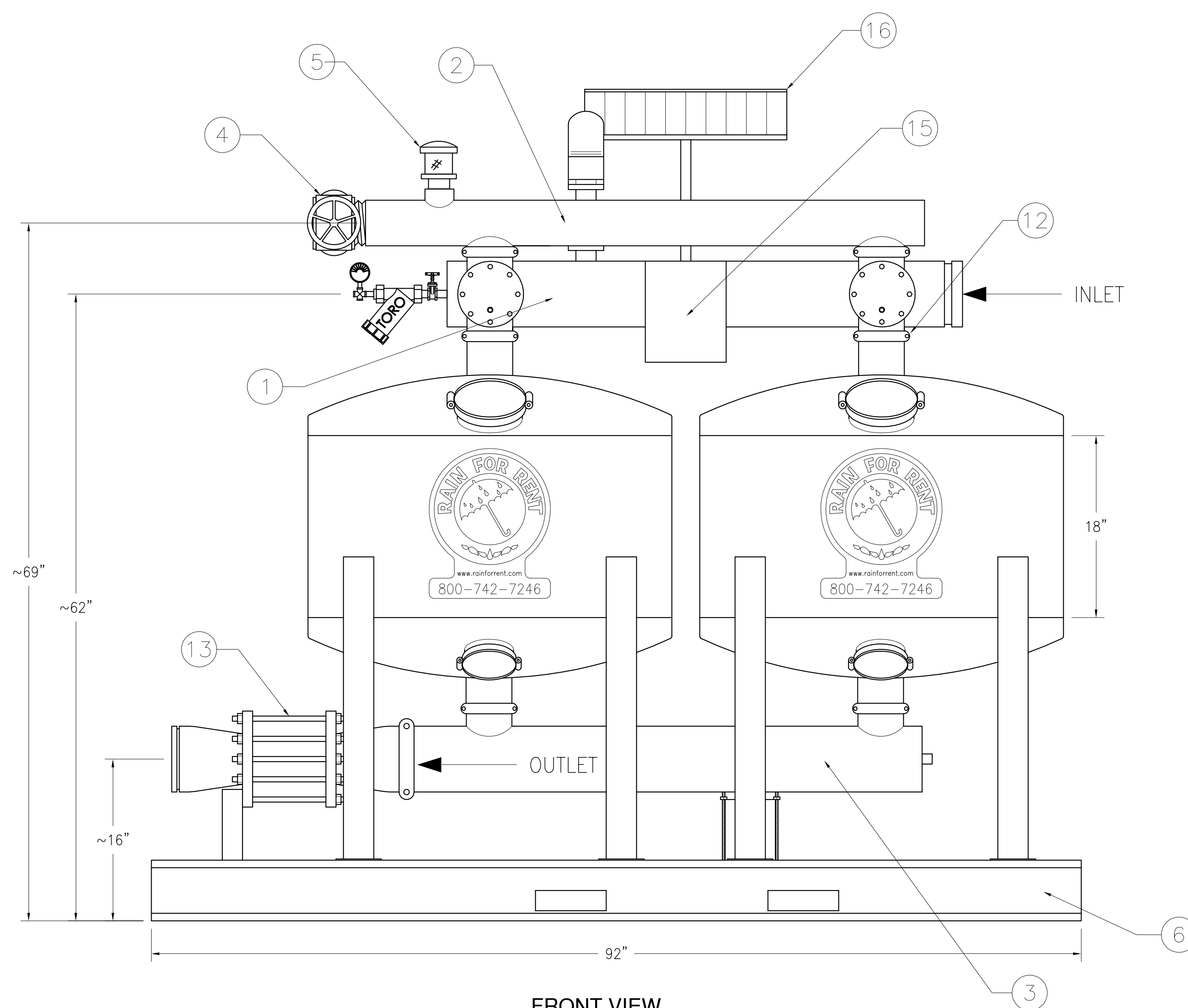


| REV.NO. | DESCRIPTION                              | PREVIOUS DWG | BY | DATE       |
|---------|--|--------------|----|------------|
| 1       | CHANGED INLET TO OPPOSITE SIDE OF OUTLET | 102238       | MS | 06-25-2002 |

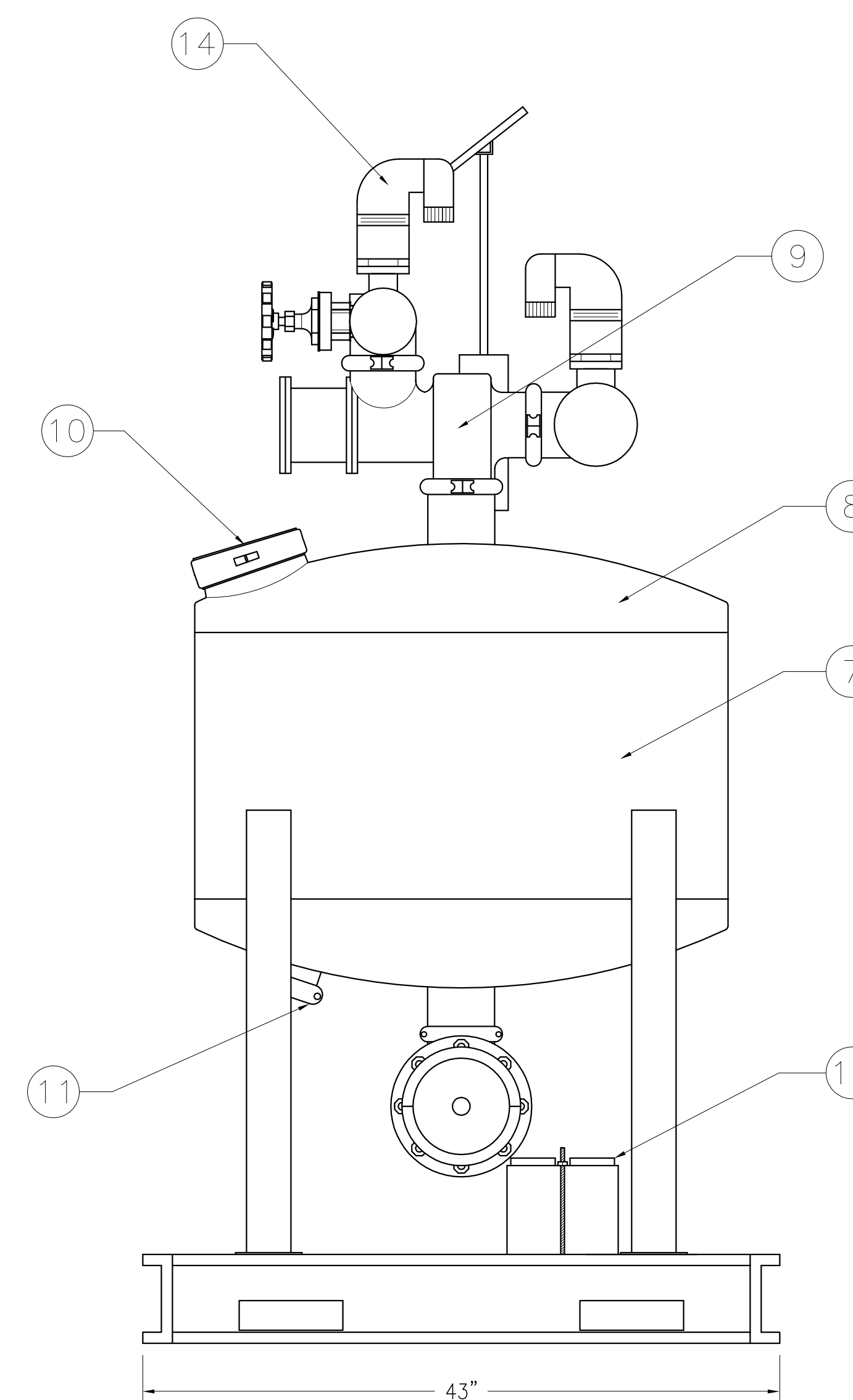
| ITEM | QTY. | REF. | DESCRIPTION                        |
|------|------|------|------------------------------------|
| 1    | 1    | -    | 6" GROOVED INLET PIPELINE          |
| 2    | 1    | -    | 4" BACKWASH PIPELINE               |
| 3    | 1    | -    | 6" OUTLET PIPELINE                 |
| 4    | 1    | -    | 4" GATE VALVE                      |
| 5    | 1    | -    | 1-1/2" ABF-20 SIGHT GLASS          |
| 6    | 1    | -    | 6" X 43" X 92" SKID                |
| 7    | 2    | -    | 36"O.D. X 18"H. TANK JACKET        |
| 8    | 4    | -    | 36"O.D. TANK HEAD                  |
| 9    | 2    | -    | 4" 2-WAY THREE PORT BACKWASH VALVE |
| 10   | 2    | -    | 8" GROOVED FILL PORT               |
| 11   | 2    | -    | 3" GROOVED DRAIN PORT              |
| 12   | 8    | -    | 4" GROOVED VICTALIC COUPLING       |
| 13   | 1    | -    | NELSON PRESSURE SUSTAINING VALVE   |
| 14   | 2    | -    | 2" NELSON AIR VENT                 |
| 15   | 1    | -    | 94B-4 BACKWASH CONTROL PANEL       |
| 16   | 1    | -    | SOLAR PANEL                        |
| 17   | 1    | -    | BATTERY                            |



PLAN VIEW



FRONT VIEW



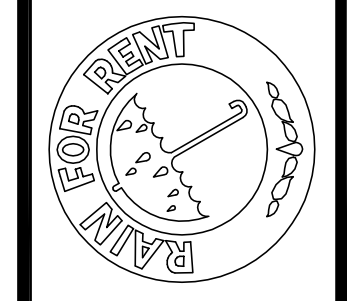
SIDE VIEW

DATE: 04-05-2002  
 SCALE: 1:8  
 DESIGNED: EVERFILT  
 CHECKED:  
 DRAWN: M. STEVENSON

# 36-2 FILTER UNIT

36-2 SAND  
 MEDIA FILTER

**Rain For Rent  
 Engineering**  
 3404 STATE ROAD PO BOX 2248 BAKERSFIELD CA 93303



ALL INFORMATION CONTAINED IN OR REFERRED TO IN THIS DOCUMENT IS THE PROPERTY OF RAIN FOR RENT. ALL RIGHTS ARE RESERVED. REPRODUCTION AND REPRODUCTION OF THIS DOCUMENT WITHOUT THE WRITTEN CONSENT OF RAIN FOR RENT IS PROHIBITED.

1 SHEET OF 1  
 DRAWING NUMBER  
 102238  
 JOB NUMBER  
 1020402