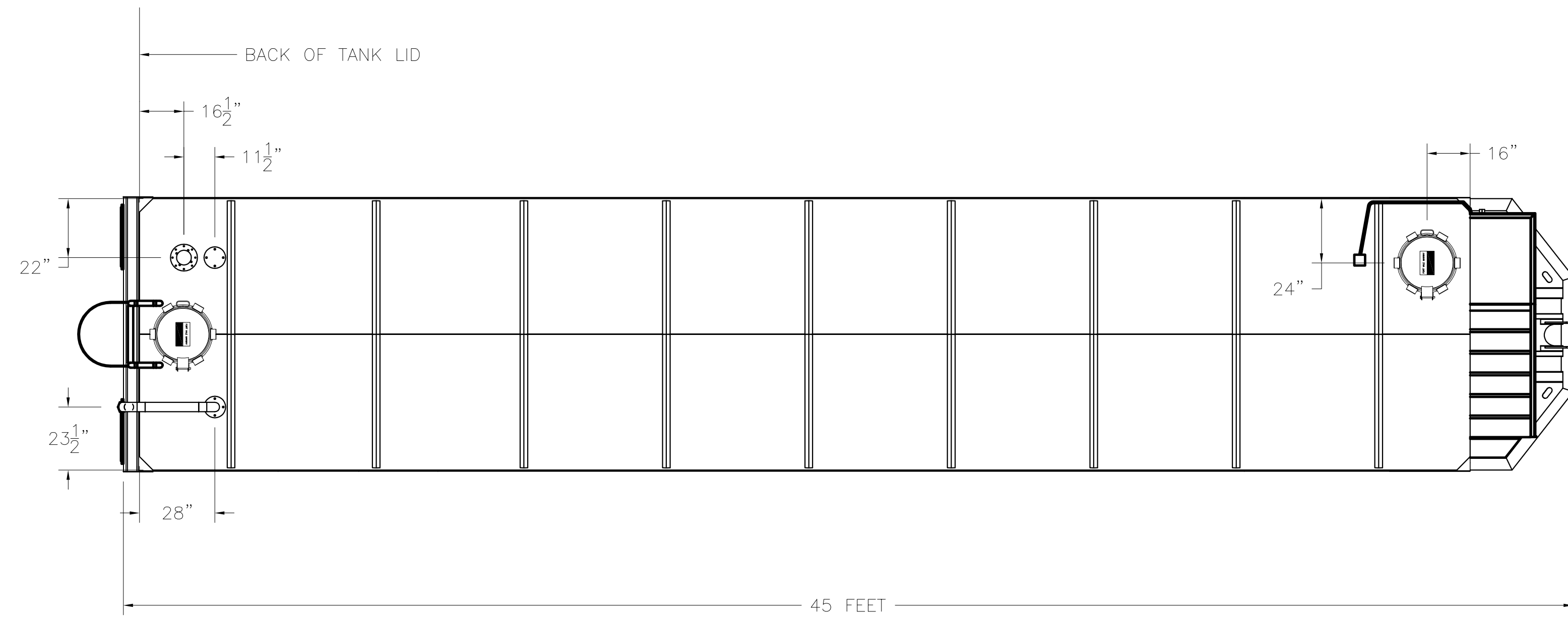
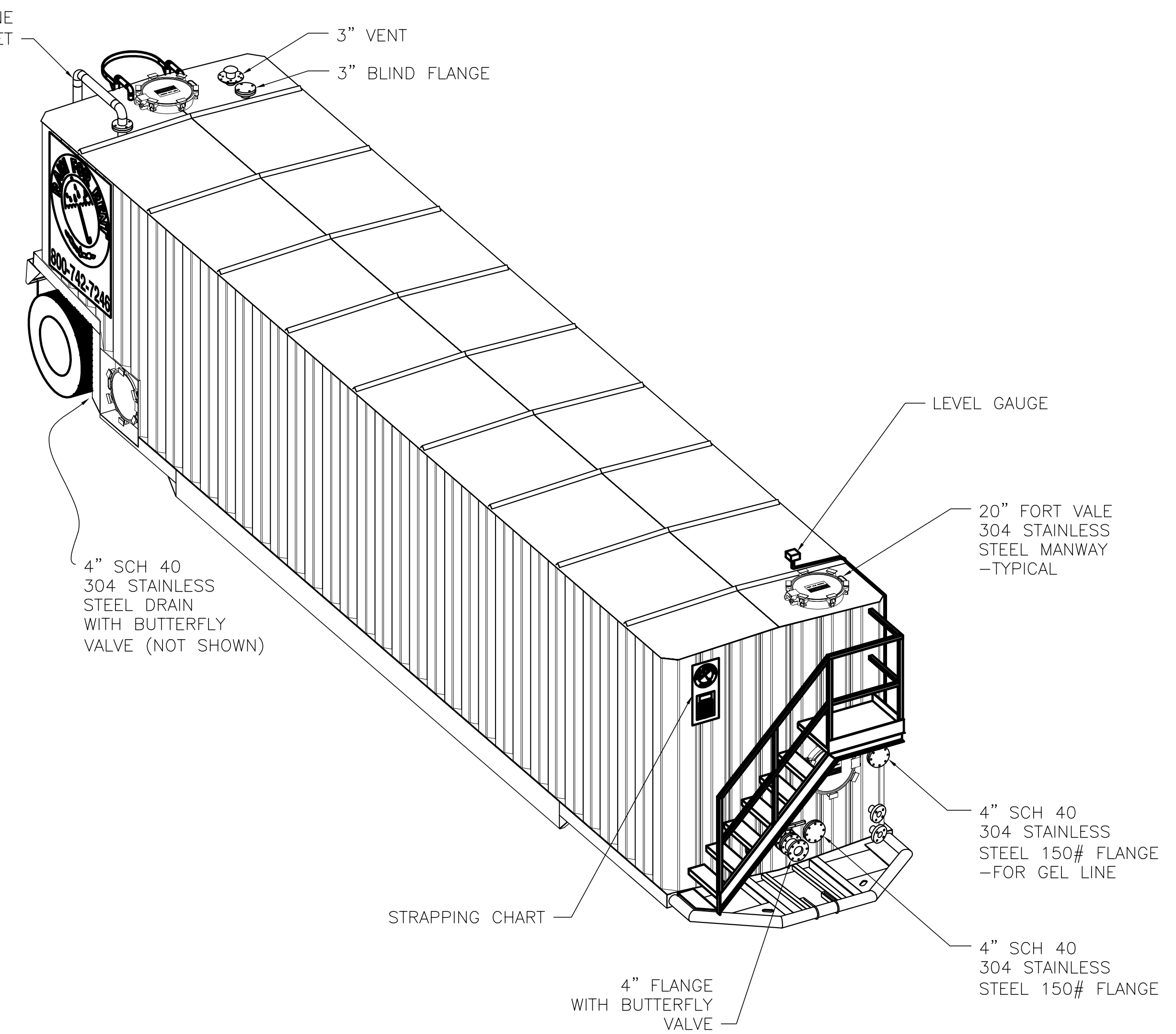


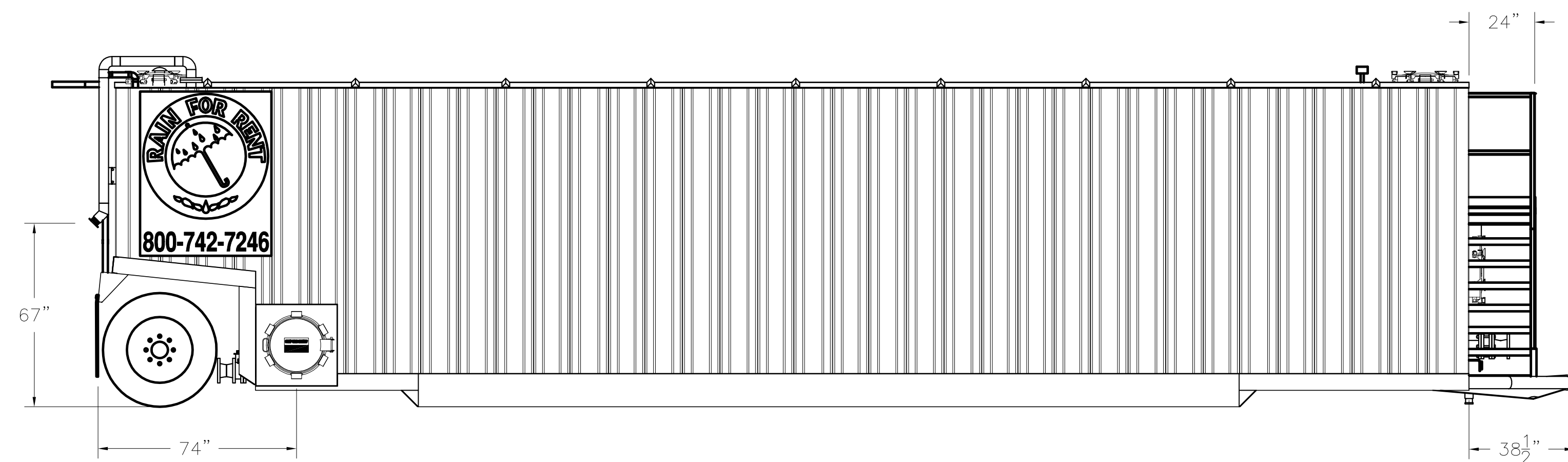
REV.NO.	DESCRIPTION	PREVIOUS DWG	BY	DATE
1	ADD STEAM COILS	99345	DL	4-10-2001



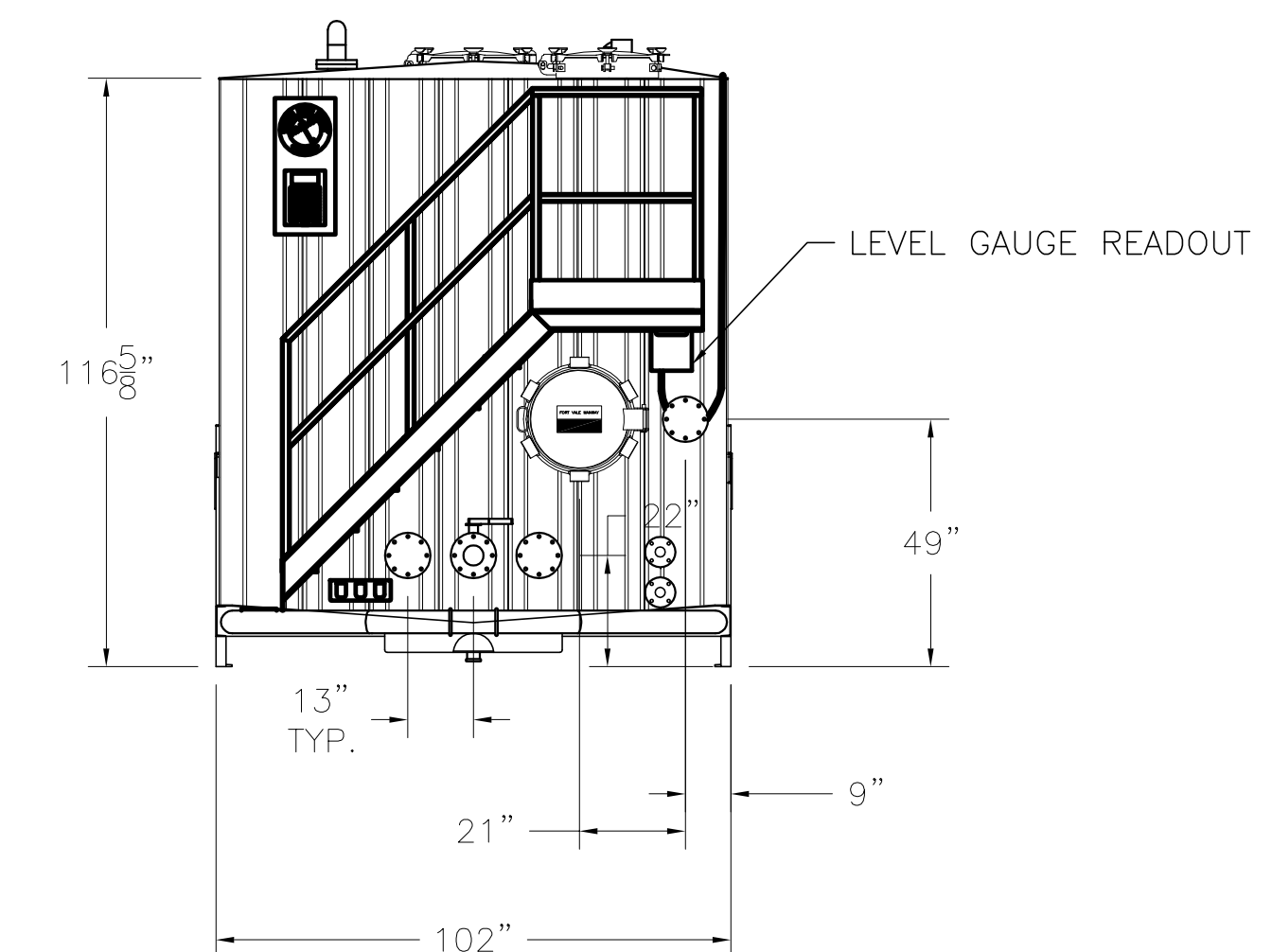
TOP VIEW



ISOMETRIC VIEW



SIDE VIEW



FRONT VIEW

Date	04-27-00
Scale	NTS
Designed	
Checked	
Drawn	K.MUSICK

STAINLESS STEEL TANK

AS-BUILT DRAWING
GENERAL DIMENSIONS

Rain For Rent Engineering
3404 State Road PD Box 2248 Bakersfield Ca 93303

All information contained in this document is the property of Rain For Rent Engineering. It is to be used only for the project and site for which it was prepared. All disclosure of design information to other parties without the written consent of Rain For Rent Engineering is prohibited. The user assumes all responsibility for the use of this information.

1	Sheet of 1
Drawing Number	
99345	
Job Number	
991219	