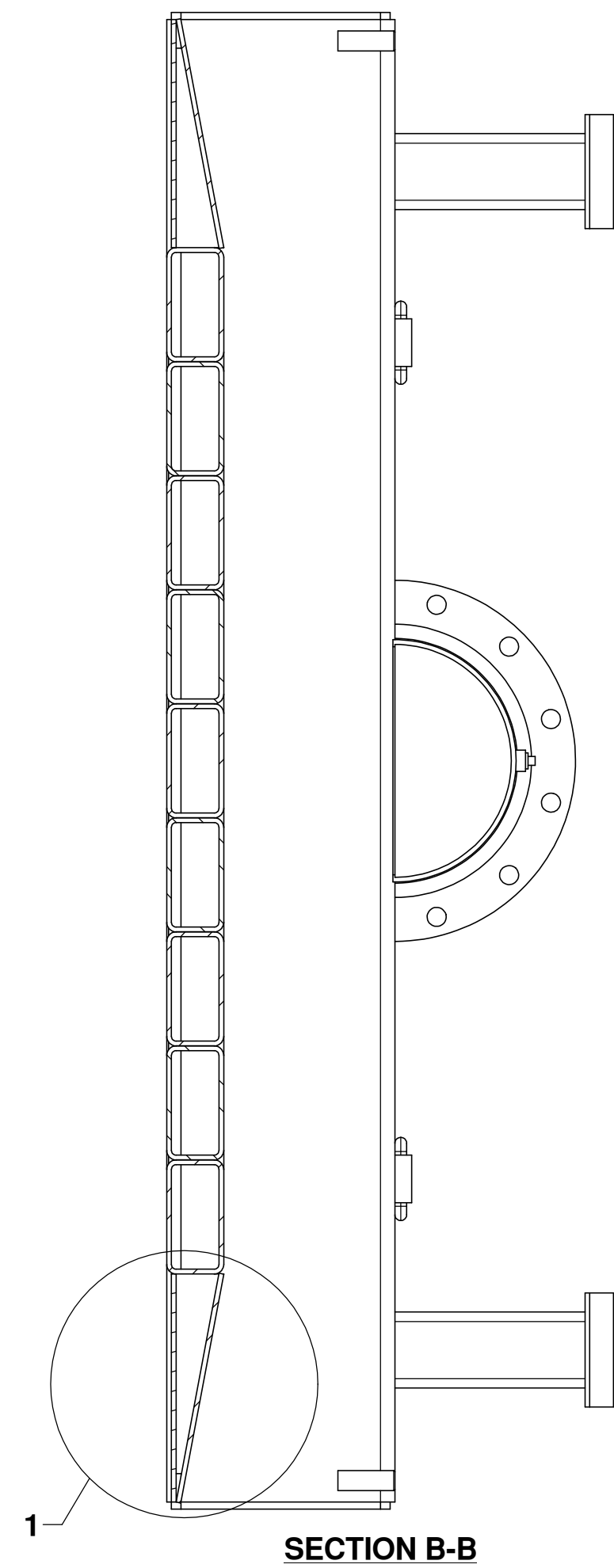
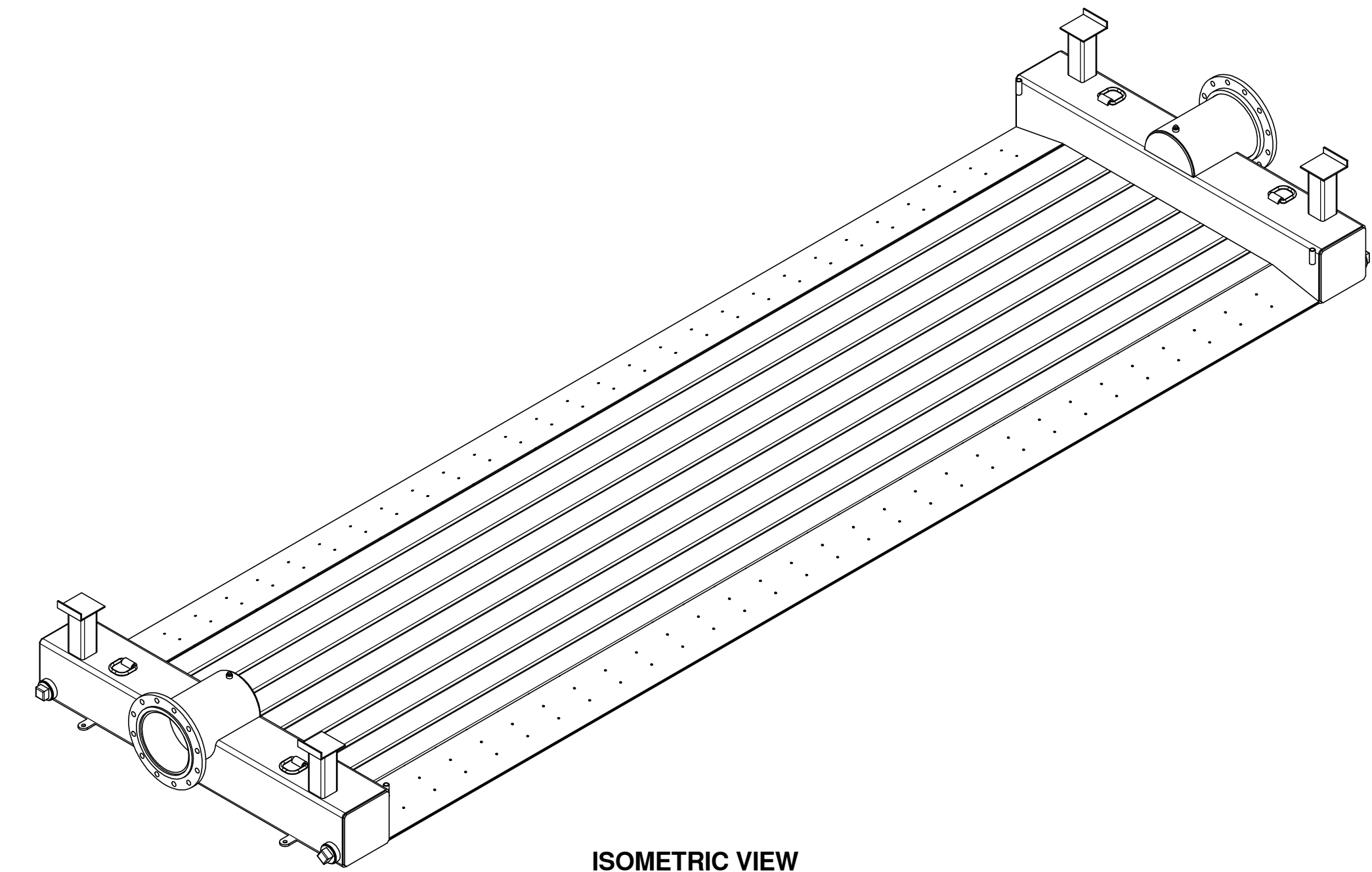
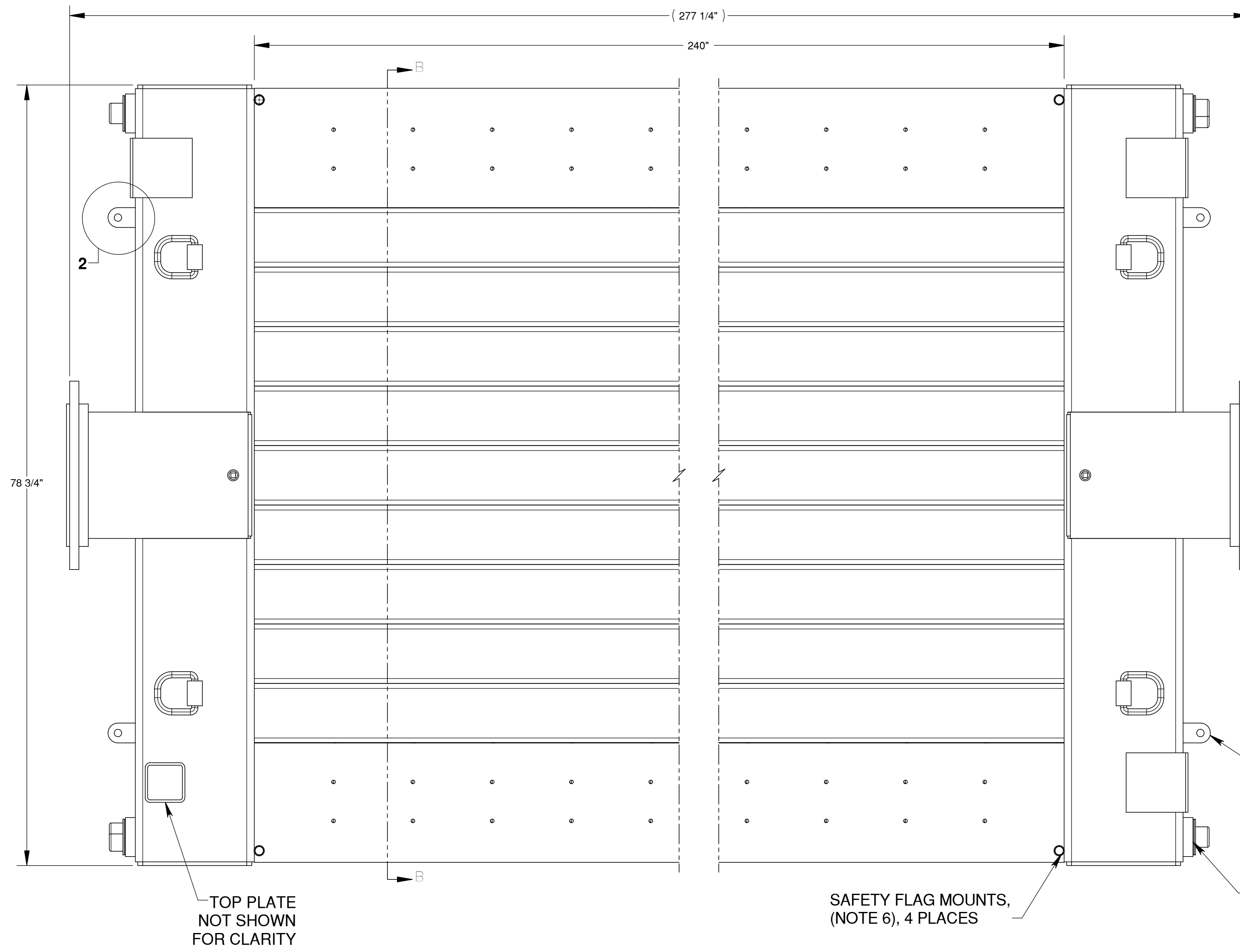


DETAIL 2
SCALE 1 : 4
4 PLACES



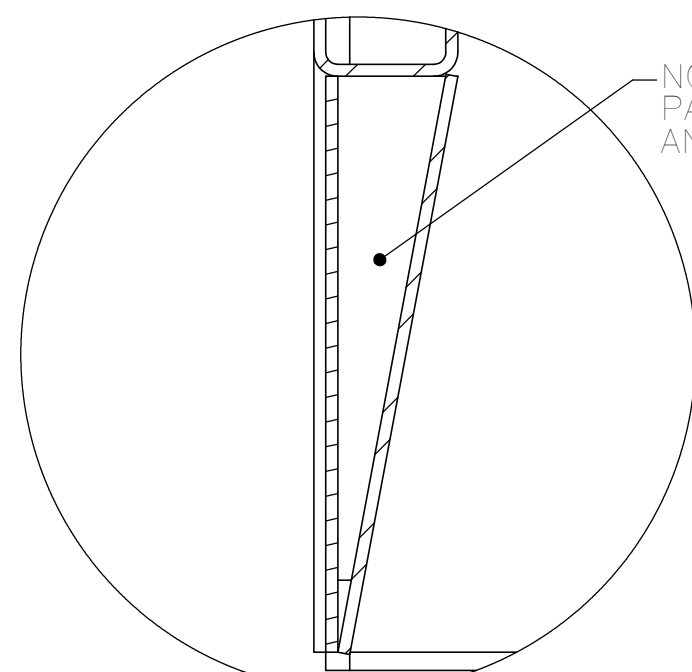
SECTION B-B



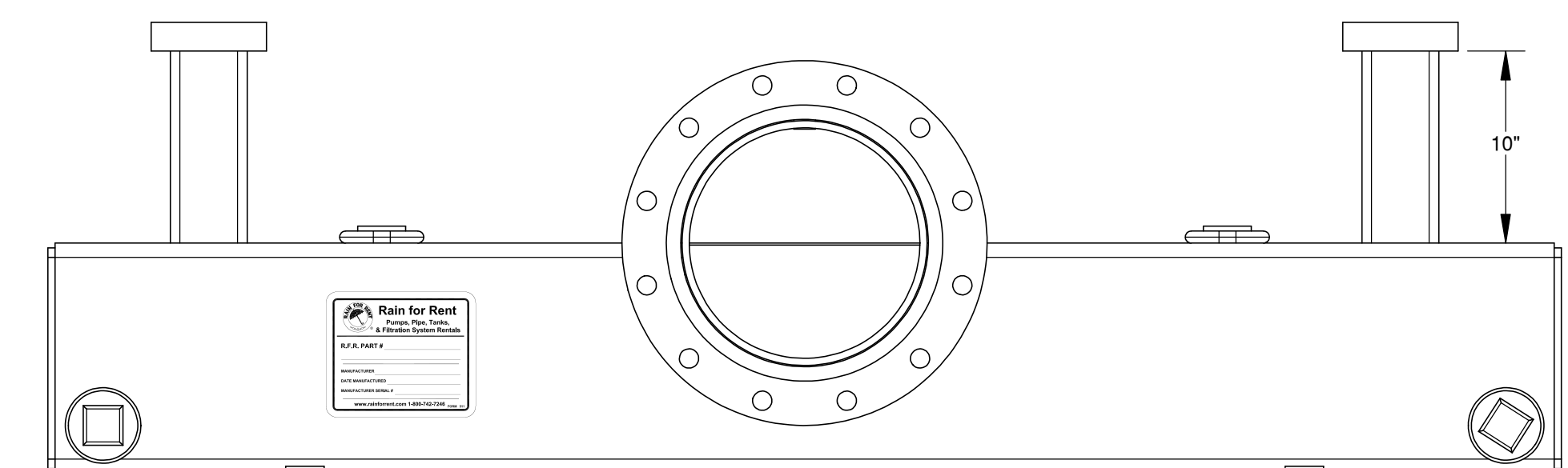
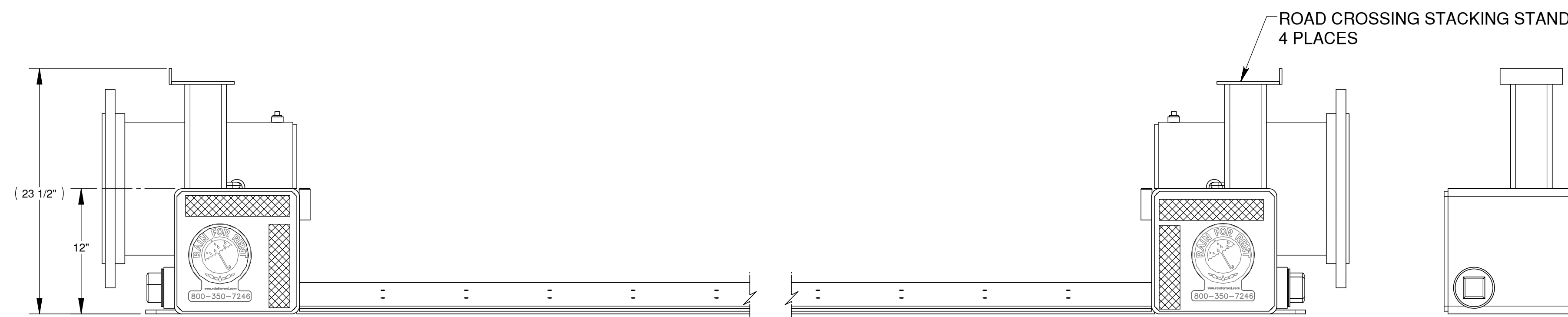
ISOMETRIC VIEW
NOT TO SCALE

NOTE:

1. GALVANIZED IN ACCORDANCE WITH ASTM A 384 & A 385 STANDARDS.
2. ADD WHITE OR ORANGE D.O.T. REFLECTOR TAPE AS INDICATED ON SQUARE TUBING.
(GRAINGER PART # - WHITE 1F017 - ORANGE 1F019)
3. PLACE A 6" RAIN FOR RENT LOGO STICKER WITH 1-800 NUMBER, FORM #437, AS INDICATED.
(DECAL SUPPLIED BY RAIN FOR RENT WHEN ROADCROSSING IS ORDERED)
4. PRESSURE TEST BEFORE AND AFTER GALVANIZING WITH WATER AT 112 PSI FOR MINIMUM OF 5 MINUTES TO CHECK FOR LEAKS.
5. WORKING PRESSURE 75-PSI MAX.
6. MOUNTING POINTS FOR STANDARD SAFETY WARNING FLAGS, (GRAINGER ITEM #4A415, 18" X 18" RED/ORANGE WITH 3/4" DIAMETER DOWEL OR EQUIVALENT), (SUPPLY WITH ROAD CROSSING)
7. APPROXIMATE WEIGHT - 4,100 LBS. EMPTY.
8. MAINTAIN FLANGE SURFACE.
9. USE DECAL (FORM #511) TO STAMP ASSEMBLY WITH MANUFACTURE NAME AND DATE ASSEMBLY WAS MANUFACTURED. (DECAL SUPPLIED BY RAIN FOR RENT WHEN ROADCROSSING IS ORDERED)
10. CONTACT RAIN FOR RENT ENGINEERING DEPARTMENT FOR APPROVAL BEFORE CHANGES IN DESIGN.



DETAIL 1
SCALE 1 : 4
ANGLE/FLAT BAR WELDMENT



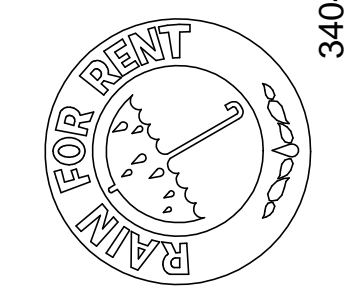
UNLESS OTHERWISE SPECIFIED
 INTERPRET PER ASME Y14.24
 AND Y14.340, Y14.350
 ALL DIMENSIONS ARE IN INCHES
 ALL DIMENSIONS BEFORE PLATING
 UNLESS OTHERWISE SPECIFIED
 MACHINED SURFACE FINISH IS AS LISTED IN TITLE
 SHEET SCALE IS AS LISTED IN TITLE
 BLOCK UNLESS SPECIFIED OTHERWISE
 FRACTIONAL: 1/8
 DECIMALS: .010
 .020
 .030
 .040
 .050
 .060
 .070
 .080
 .090
 .100
 ANGLES: ±0° -30'

12" X 20' ROAD CROSSING

SALES / REFERENCE DRAWING

Rain For Rent
Engineering

3404 State Road PO Box 2248 Bakersfield CA 93303



ALL INFORMATION CONTAINED IN OR DISCLOSED BY THIS DOCUMENT IS CONSIDERED CONFIDENTIAL AND PROPRIETARY BY RAIN FOR RENT. ALL DISCLOSURES OF DESIGN INFORMATION AND REPRODUCTION OF THIS DOCUMENT AND ALL SALES RIGHTS ARE EXCLUSIVELY RESERVED BY AND TO RAIN FOR RENT AND COMMUNICATION OF THIS INFORMATION TO OTHERS IS PROHIBITED WITHOUT THE PRIOR WRITTEN CONSENT OF RAIN FOR RENT.

DATE	SCALE
10/20/2003	1:8
DESIGNED BY	K.KROSS
CHECKED BY	K.KROSS
DRAWN BY	M.STEVENSON
JOB NUMBER	1021213
DRAWING NUMBER	103011-1_3
SHEET	1 OF 1
D	D

REV. NO.	DESCRIPTION	PREV. DWG	BY	DATE
1	ADDED STAKING LEGS	103011-1_3	MS	5/5/2005